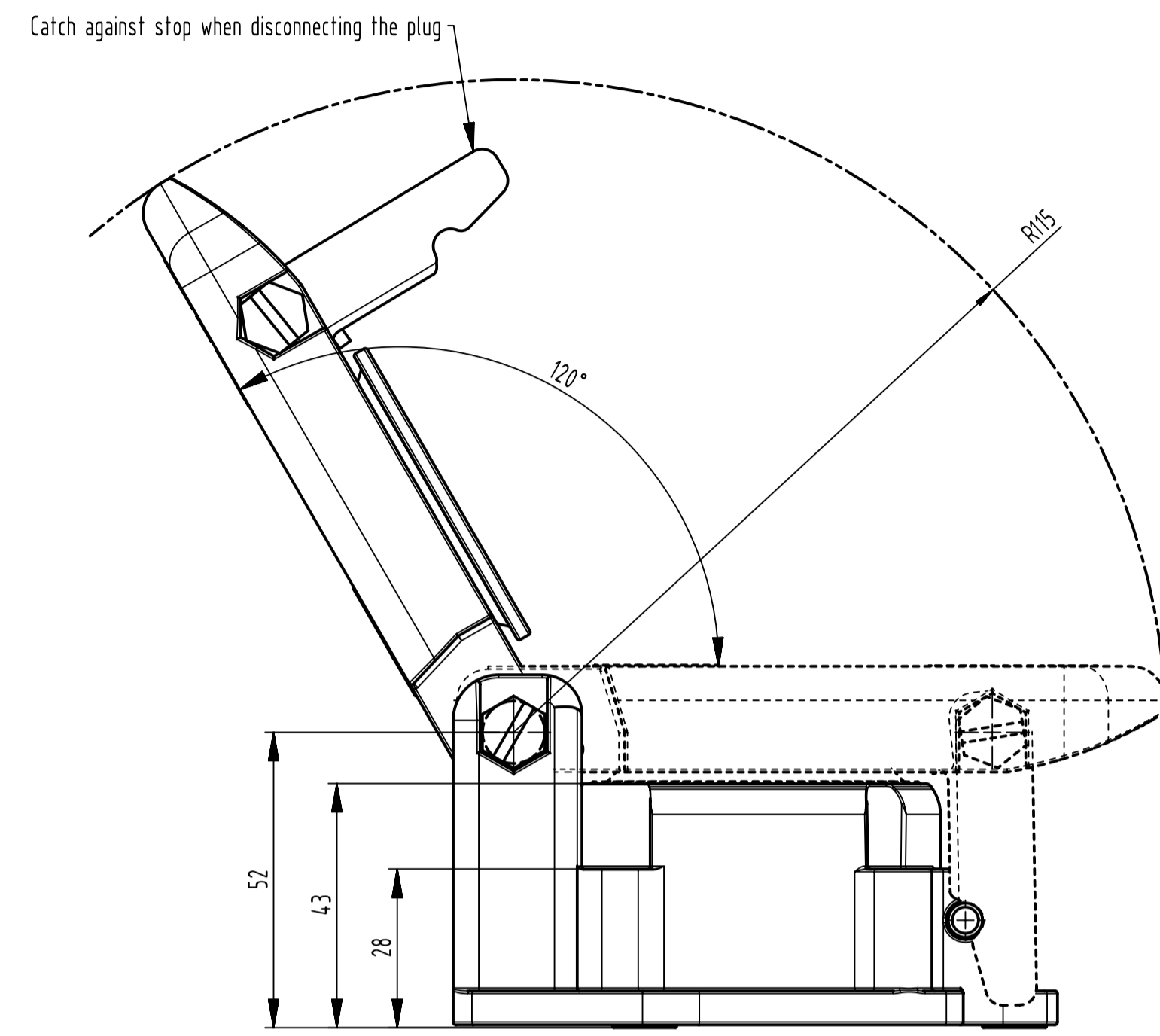
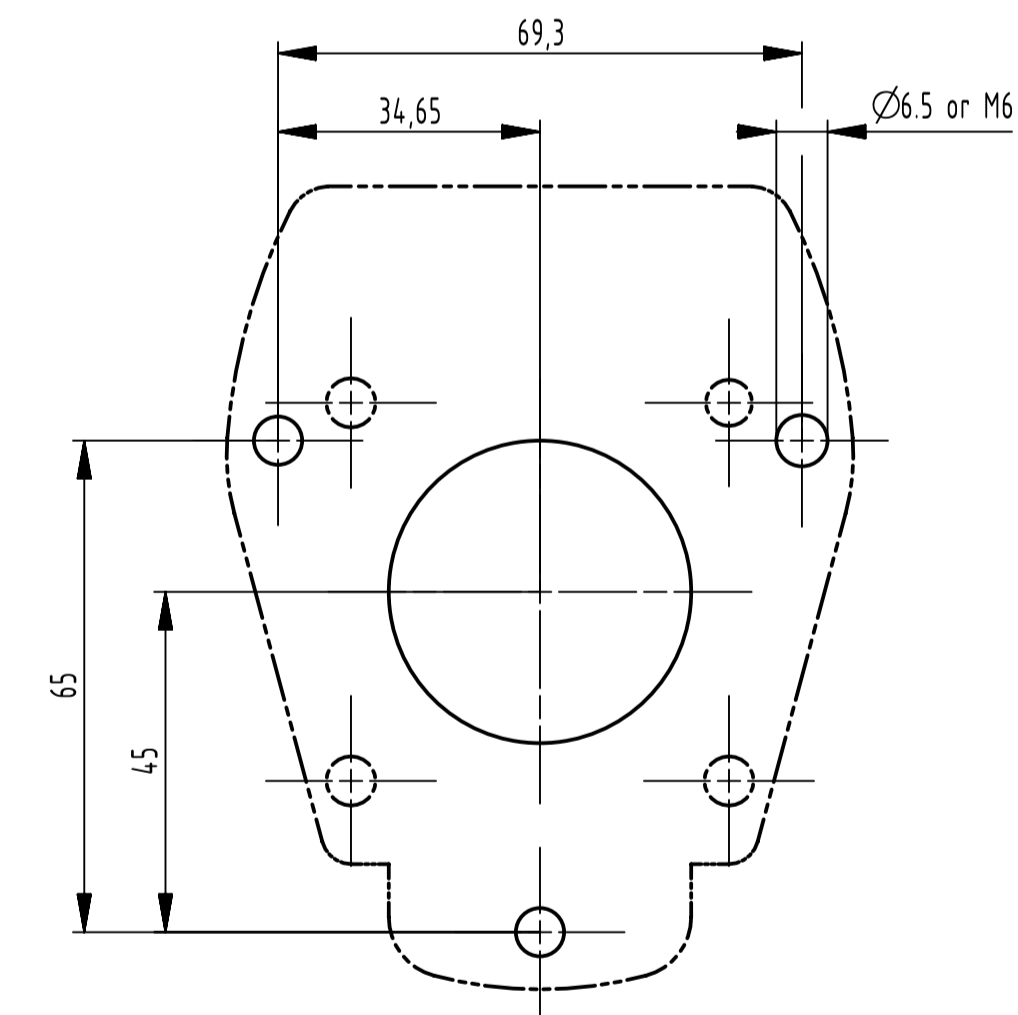
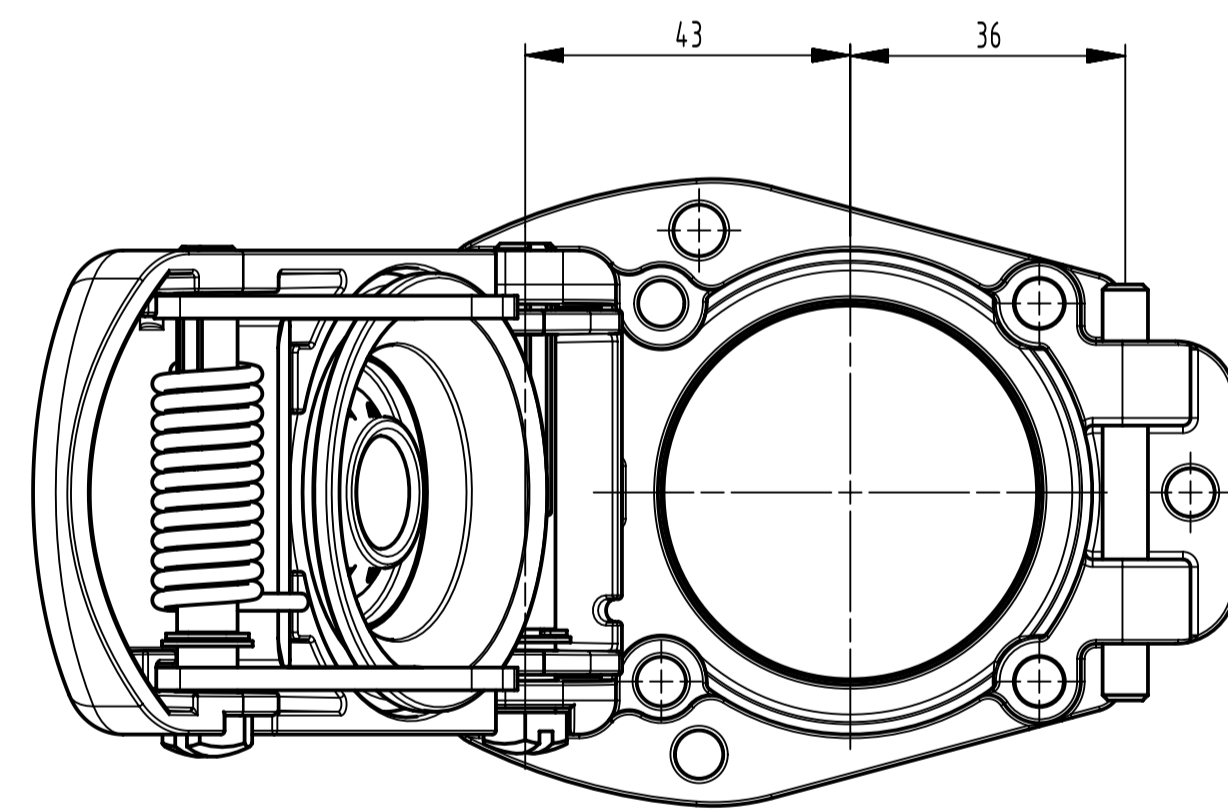
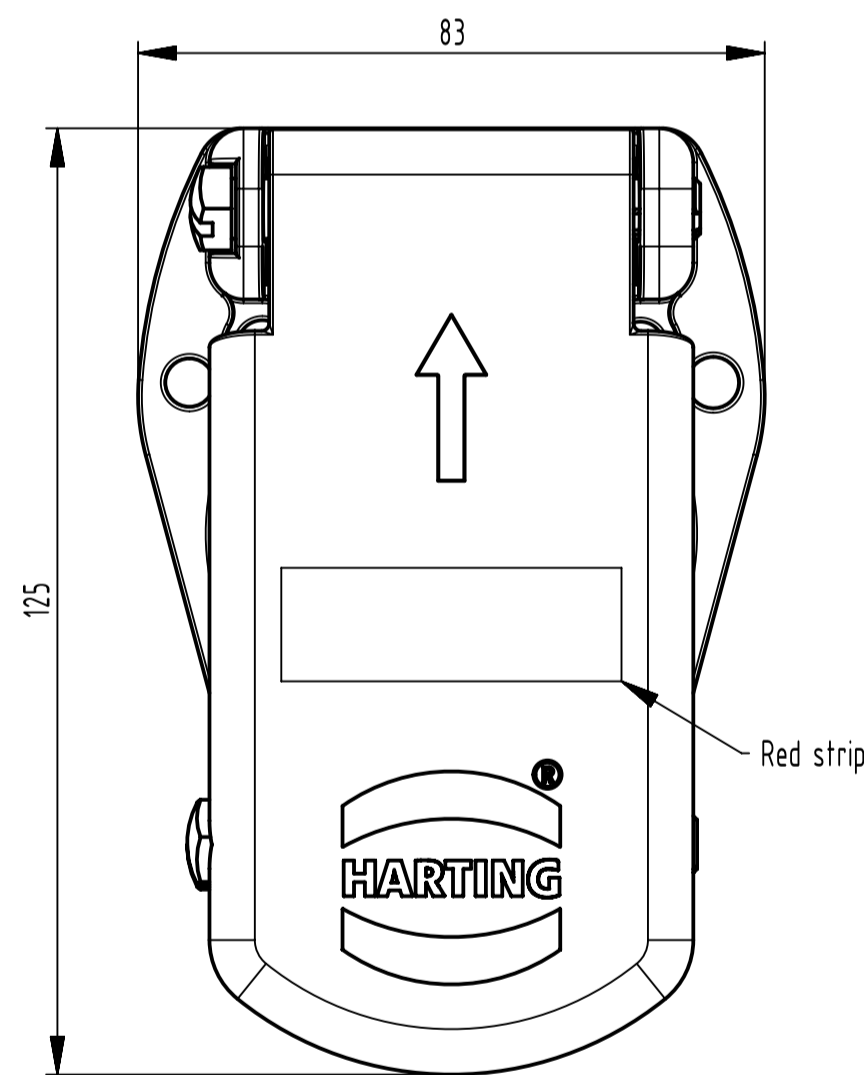
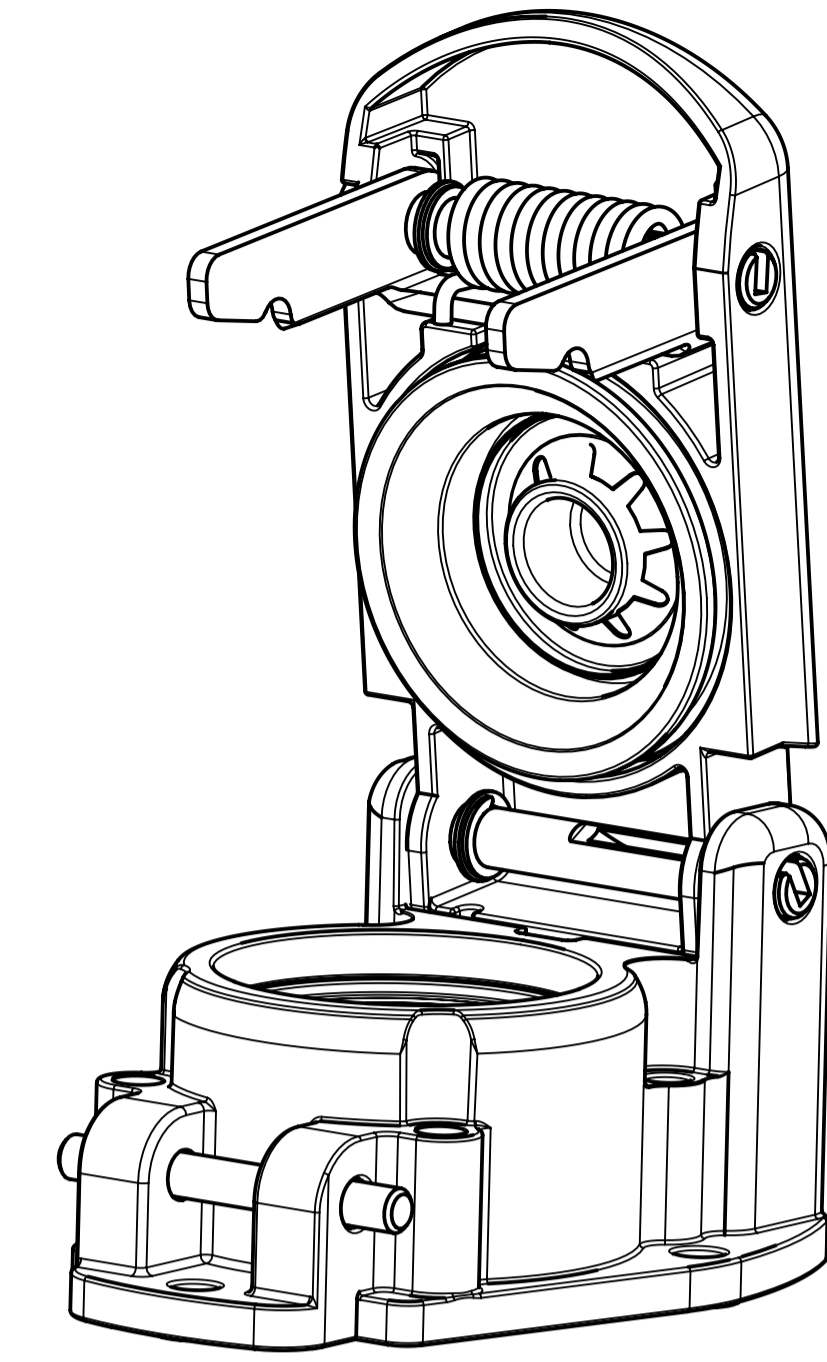


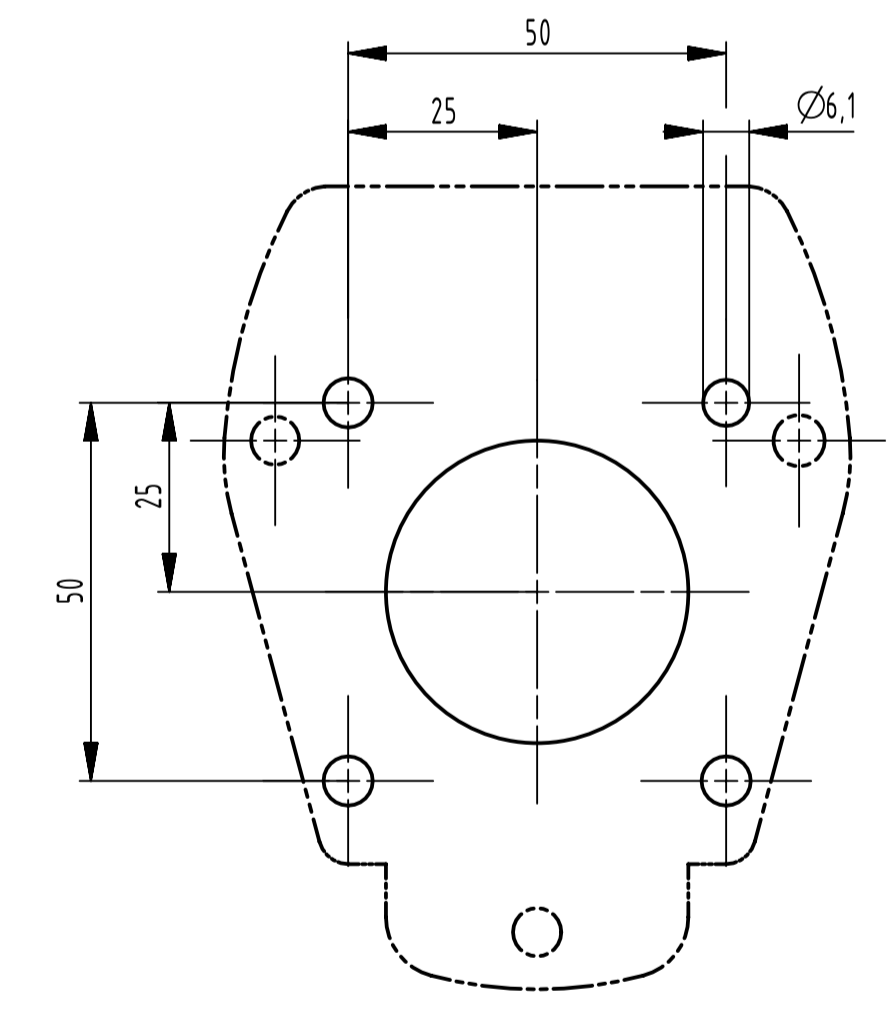
Lid at closed condition



Lid at opened condition



4 Hole mounting



3 Hole mounting

Refer data sheet for product specification.

	All Dimensions in mm Original Size DIN A1	Scale 1:1	Free size tol. ISO 8015	Ref.	
	All rights reserved	Created by 404742	Inspected by 402933	Standarisaton ROEBEN	Date 2022-01-19
	Department EL_PD	Title UIC558-HBM/CM-18PIN			State Final Release
HARTING D-32339 Espelkamp		Type TB	Number 09 5 8 0 01 0302	Rev. A	Page 1/1