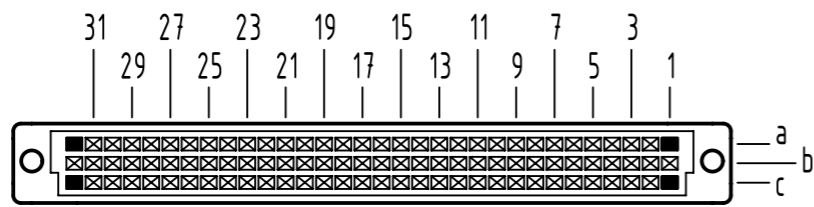


**A**  
contact arrangement



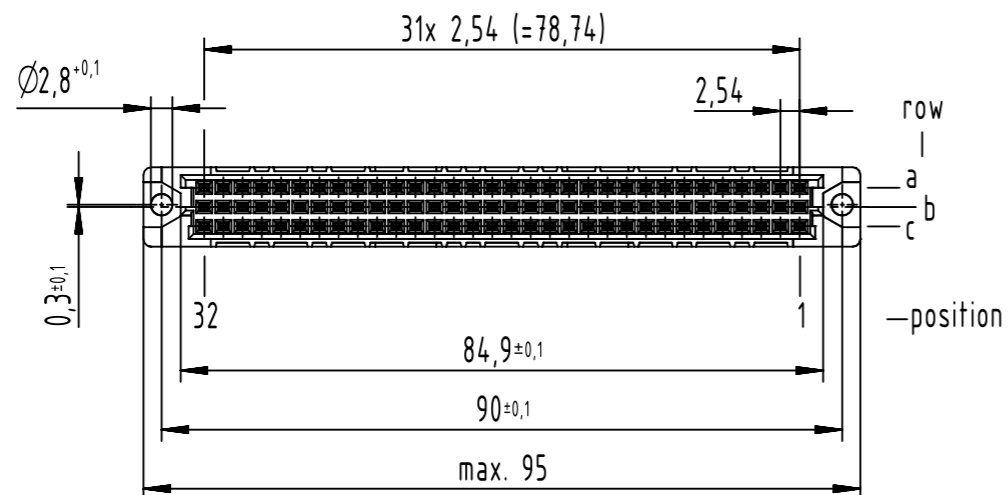
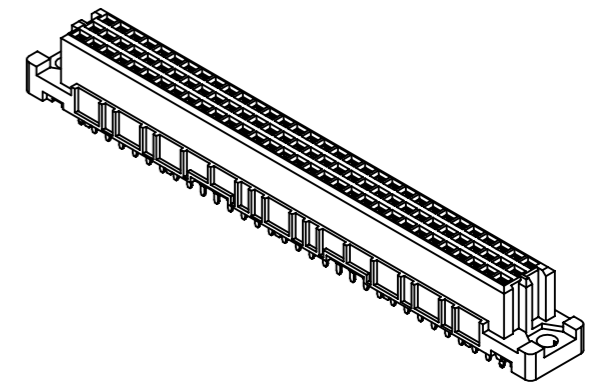
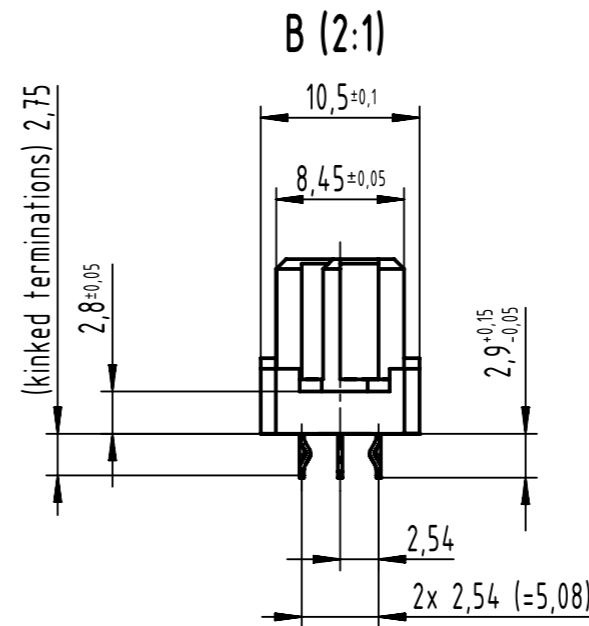
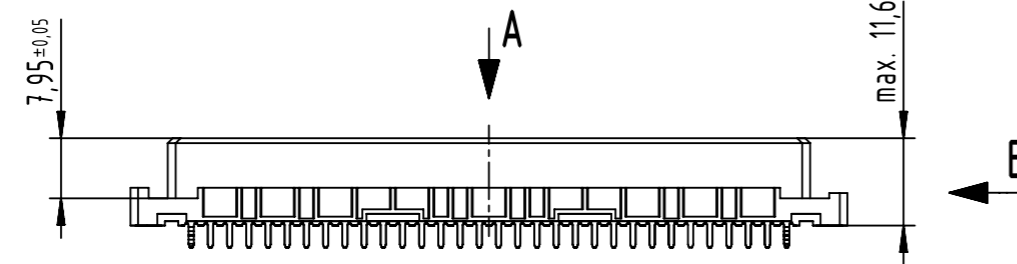
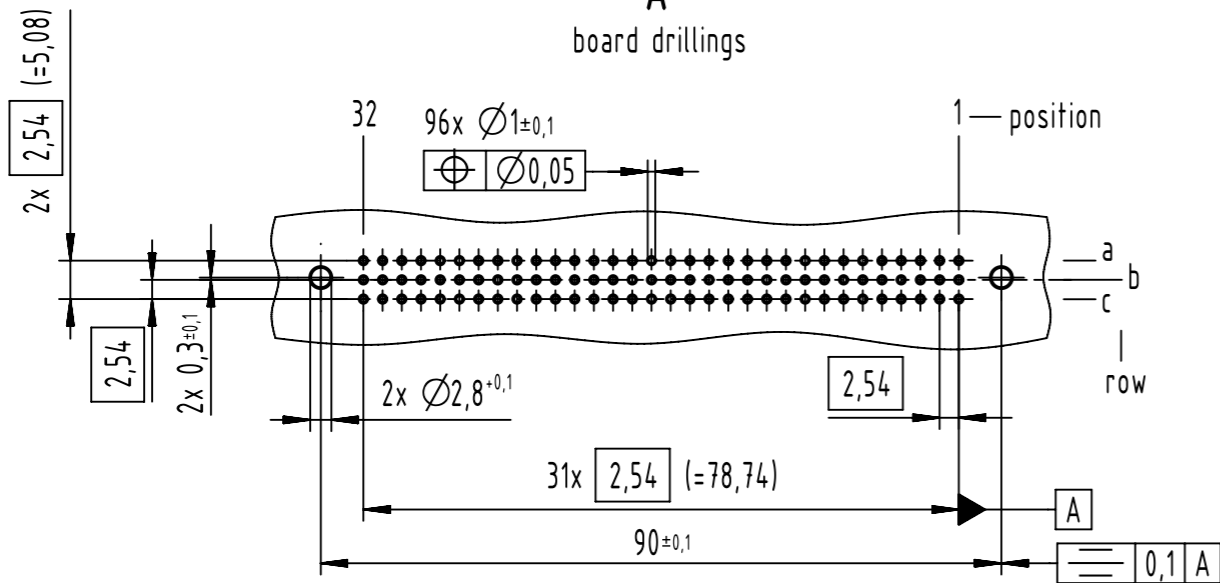
92 solder-contacts  
4 kinked solder-contacts

☒ = solder-contact

■ = kinked solder-contact

□ = position without contact

**A**  
board drillings



further information see product data sheet

09 03 296 7855	3
09 03 296 6855	2
09 03 296 2855	1
part no.	performance level

	All Dimensions in mm Original Size DIN A3	Scale 1:1	Free size tol. IEC 60603-2	Ref. Sub. TB 09 03 296 x855 / Mod. 36400 / 06.07.2011	
	All rights reserved Department EL PD	Created by STORCK	Inspected by LEHNERT	Standardisation 302077	Date 2021-03-12
HARTING D-32339 Espelkamp	Title DIN Signal type C female solder kinked 2.9 96-pole			State Final Release	
Type TB		Number 0903296X855		Doc-Key / ECM-Nr. 100173852/UGD/170/G 500000190255	Page 1/1